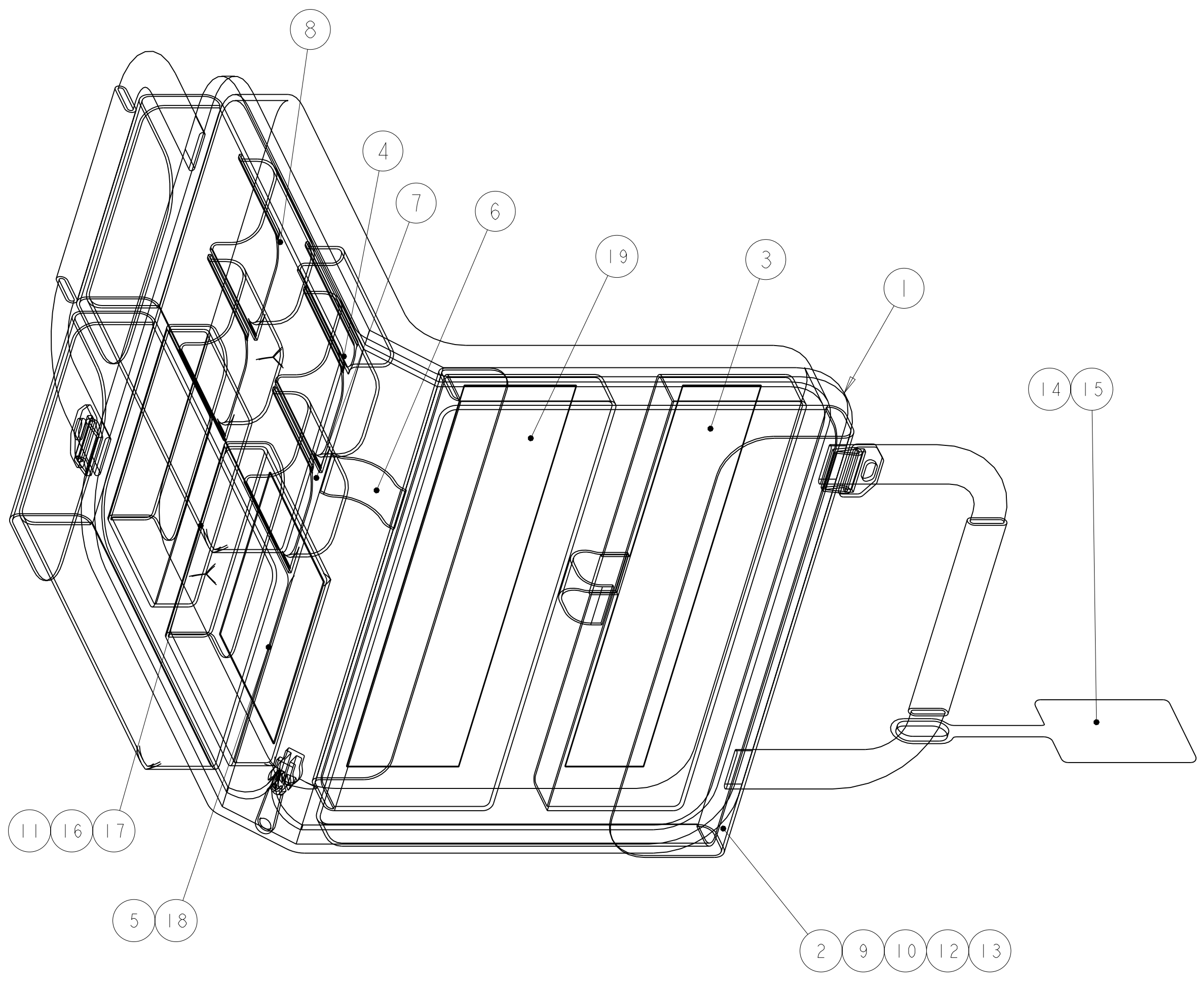


THIS DRAWING IS UNPUBLISHED. RELEASED FOR PUBLICATION  
 © COPYRIGHT 19 BY TYCO ELECTRONICS CORPORATION. ALL RIGHTS RESERVED.

LOC	DIST	REVISIONS					
CE	00	P	LTR	DESCRIPTION	DATE	DWN	APVD
		Z		REVISE PER ECR-05-005983	01AUG2005	BB	DK



SUPERCEDED BY:  
503330-3

1	1	-	MICROSCOPE W/10x OBJECTIVE	1754767-1	19
1	1	1	CABLE PREP TEMPLATE (XTC/NeXTC)	503574-1	18
1	1	1	POLISHING BUSHING, BEIGE PLASTIC	503304-2	17
1	1	1	POLISHING BUSHING, BLACK PLASTIC	503304-1	16
1	1	-	CASE LABEL	-	15
-	-	1	CASE LABEL	-	14
1	1	1	POLISH PAD (RECTANGULAR)	504584-1	13
1	1	1	POLISH PAD (CIRCULAR)	501523-1	12
1	1	1	POLISHING BUSHING, METAL	503337-1	11
10	10	10	LAPPING FILM, 5um	228433-8	10
10	10	10	LAPPING FILM, 0.3um	228433-5	9
1	1	1	MICRO STRIP TOOL, (.008)	492109-2	8
1	1	1	COMBINATION STRIP TOOL	1278947-1	7
1	1	1	SCISSORS	501014-1	6
1	1	1	UNIVERSAL CLEAVE TOOL	503705-1	5
1	1	1	CABLE STRIPPER	1278531-1	4
1	1	1	HAND TOOL, W/DIESET (XTC/NeXTC)	492623-1	3
1	1	1	POLISH PLATE	501197-1	2
1	1	1	PREMIUM SOFTCASE	-	1
-3	-2	-1	DESCRIPTION	PART NUMBER	ITEM

<small>THIS DRAWING IS A CONTROLLED DOCUMENT FOR TYCO ELECTRONICS CORPORATION          IT IS SUBJECT TO CHANGE AND THE CONTROLLING ENGINEERING ORGANIZATION          SHOULD BE CONTACTED FOR THE LATEST REVISION.</small>		DWN B. BRIGGS 01AUG2005 CHR D. KIRSCH 01AUG2005 APVD S. BUCHTER 01AUG2005	<b>AMP</b> AMP Incorporated Harrisburg, PA 17105-3608
DIMENSIONS: mm	TOLERANCES UNLESS OTHERWISE SPECIFIED: 0 PLC ± 1 PLC ± 2 PLC ± 3 PLC ± 4 PLC ± ANGLES ± FINISH -	NAME TERMINATION KIT, LightCrimp XTC	SIZE A2 CAGE CODE 00779 DRAWING NO C=503330 RESTRICTED TO -
MATERIAL -	FINISH -	WEIGHT -	SCALE 1:2 SHEET 1 OF 1 REV Z
CUSTOMER DRAWING			